



ASIA PACIFIC COLLEGE

Bachelor of Science In Computer Engineering
Curriculum Flowchart 2024:1 2024-CPE-A (CPE241/242)

Software Development/Machine Learning/Robotics Technology Track
Target Release Date: August 2024

Student Number:

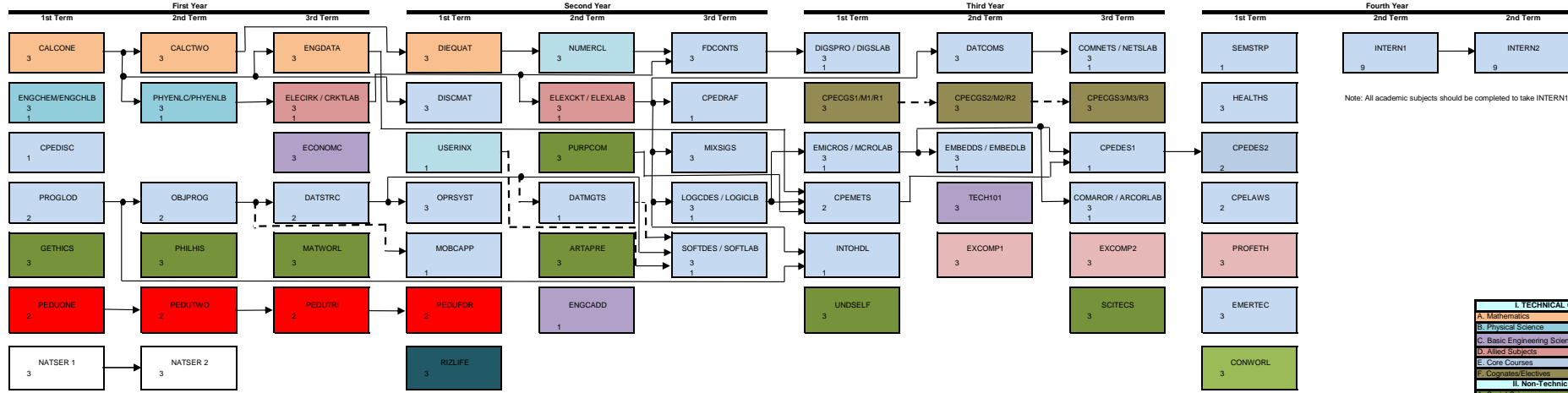
_____ - _____

Last name:

First Name:

M.I.

Student Name:



Note: All academic subjects should be completed to take INTERN1

LIST OF TECHNICAL ELECTIVES:					
Software Development		Machine Learning		Robotics Technology	
CPECGS1	Web Development	CPECGM1	Fundamentals of Machine Learning	CPECGR1	Principles of Robotics
CPECGS2	CA Programming	CPECGM2	Data Analytics Programming (R/Python Programming)	CPECGR2	Mobile Robotics Application
CPECGS3	Online Technology	CPECGM3	Artificial Neural Networks	CPECGR3	Robot Vision

Legend:
→ Connected
- - - - - Soft-requisite (In case of 'Repeat' requisite, both subjects can be taken simultaneously)

** 4th year Standing
* Maximum of 18 units remaining

REMOVE IT/CONCE

Lecture Units	15
Laboratory Units	3
Total Units	18

Lecture Units	14
Laboratory Units	3
Total Units	17

Lecture Units	14
Laboratory Units	3
Total Units	17

Lecture Units	14
Laboratory Units	2
Total Units	16

Lecture Units	12
Laboratory Units	3
Total Units	15

Lecture Units	12
Laboratory Units	3
Total Units	15

Lecture Units	14
Laboratory Units	3
Total Units	17

Lecture Units	15
Laboratory Units	1
Total Units	16

Lecture Units	15
Laboratory Units	3
Total Units	18

Lecture Units	14
Laboratory Units	3
Total Units	17

Lecture Units	0
Laboratory Units	9
Total Units	9

Lecture Units	0
Laboratory Units	9
Total Units	9

I. TECHNICAL COURSES	
A. Mathematics	12
B. Physical Science	8
C. Basic Engineering Sciences	7
D. Allied Subjects	9
E. Core Courses	90
F. Cognates/Electives	9
II. Non-Technical Courses	
A. Social Science	24
B. GECC Electives	9
C. Electives	9
D. Mandated Courses	3
E. Physical Education	8
E. National Service Training Progr	6
TOTAL UNITS	184

Prepared by: Sergio R. ...
Verified by: ...
Approved by: ...

Total (Lecture) :	139
Total (Laboratory) :	45
Total :	184